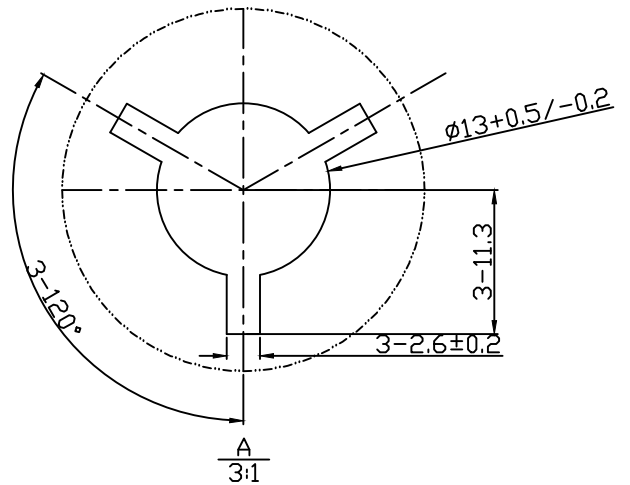
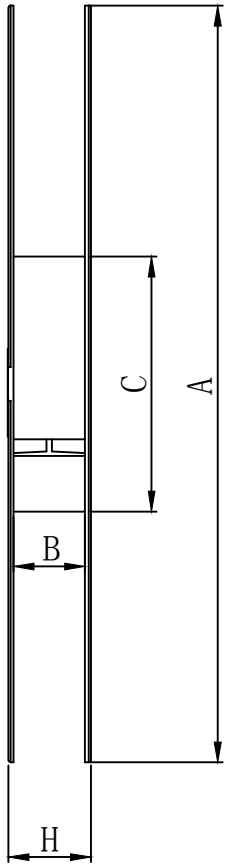
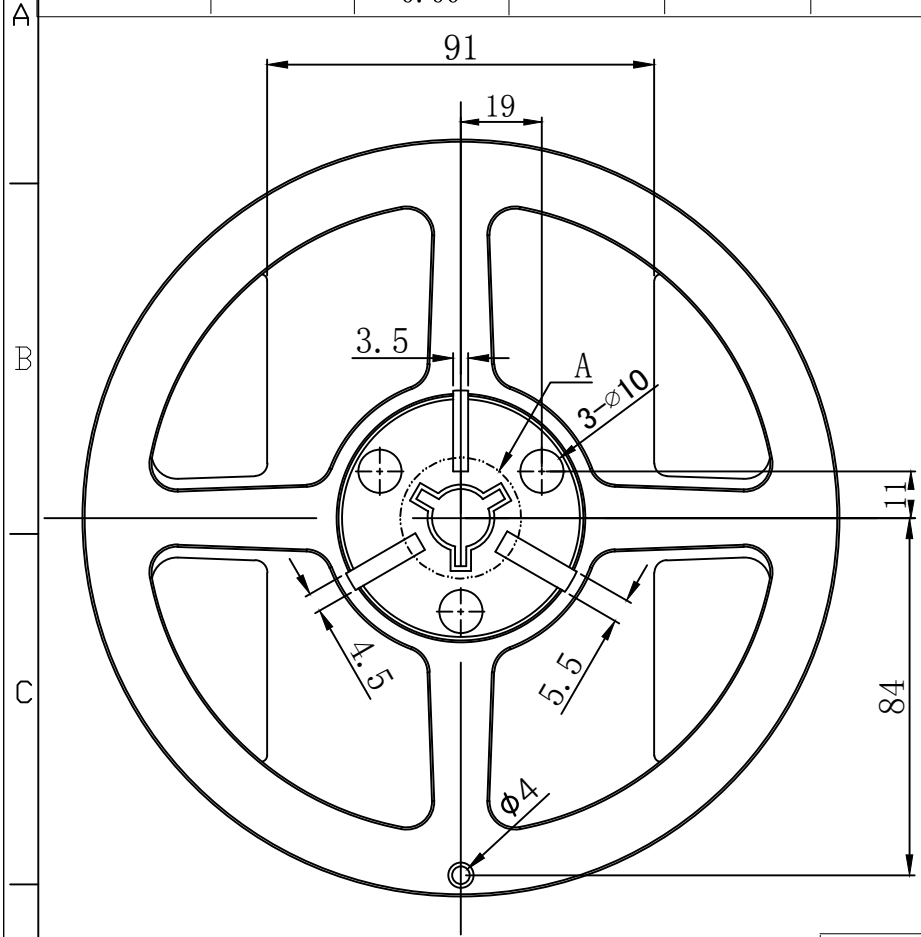


	1	2		3	4	5
Dimension	A	B	C	T	H	
Value	180	25	60	1.4	28	
Tolerance	± 1.00	$+0.80$ -0.00	± 0.5	± 0.1	± 0.2	



SINHO ELECTRONIC TECHNOLOGY CO.,LTD

Item	SHPR0724	Color	White/Black		
Size	7"*24mm	Materials	HIPS		
Tool No.	/	Unit	MM		
Approved	YU	Made by	ZHOU		