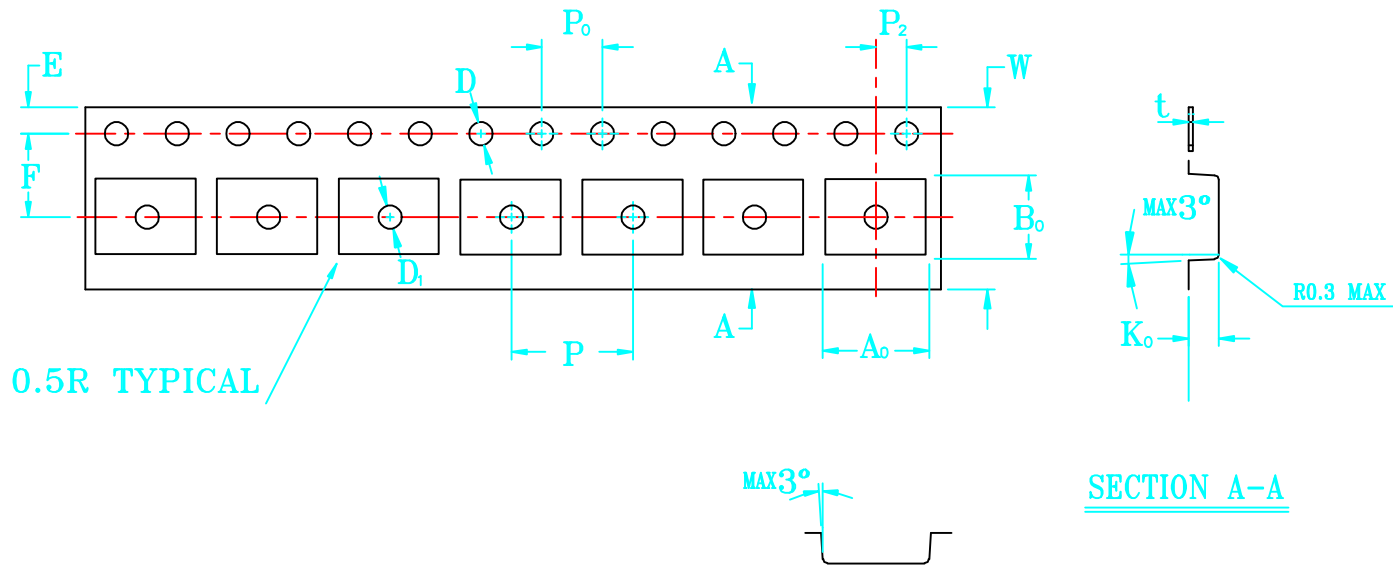


THE DIMENSIONS SHOWN ON THIS DESIGNED DRAWING ARE FOR ILLUSTRATIVE PURPOSE  
 DIMENSIONS FOR ACTUAL CARRIER TAPE MAY SLIGHTLY DIFFERENT

REV.	MODIFICATION	DATE	DRAWING	CHECKED	APPROVED
1					
2					



SCALE: 2 : 1

Not Marked tolerance  $\pm 0.2\text{mm}$

- The Maximum cumulative tolerance is  $\pm 0.2\text{mm}$  for 10 sprocket hole pitch
- Cambers do not exceed 1.0mm in 250mm length
- All dimension follow EIA-481-D series definition
- Material: PS black
- One 22" Reel=400 Meters

ITEM	W $\text{\textcircled{E}}$	A <sub>0</sub> $\text{\textcircled{A}}$	A <sub>1</sub> $\text{\textcircled{A}}$	B <sub>0</sub> $\text{\textcircled{A}}$	B <sub>1</sub> $\text{\textcircled{A}}$	K <sub>0</sub> $\text{\textcircled{C}}$	K <sub>1</sub> $\text{\textcircled{C}}$	P <sub>1</sub> $\text{\textcircled{A}}$	F $\text{\textcircled{A}}$	T $\text{\textcircled{E}}$
D <sub>0</sub> $\text{\textcircled{E}}$	16.00	6.80		5.50		1.60		8.00	7.50	0.30
D <sub>1</sub> $\text{\textcircled{E}}$	$1.50^{+0.10}_{-0.00}$	$1.50^{+0.10}_{-0.00}$		$5.50^{+0.10}_{\pm 0.10}$	$5.50^{+0.10}_{\pm 0.10}$	$1.60^{\pm 0.10}$	$1.60^{\pm 0.10}$	$8.00^{\pm 0.10}$	$7.50^{\pm 0.10}$	$0.30^{\pm 0.05}$
P <sub>0</sub> $\text{\textcircled{A}}$										
P <sub>2</sub> $\text{\textcircled{A}}$										
E $\text{\textcircled{A}}$										
ALTERNATE										

RoHS Compliance	NAME.	CARRIER TAPE	Mold Ref	TSSOP225-14	SIZE	A4	DSGD		DIM TOL	Ang Tol
	Mold Ref	6.80*5.50*1.60	Customer P/N		SHEET	1/1	PROJ		X $\pm 0.30$	X.XX $\pm 0.10$
	MATERIAL	PS BLACK	SCALE	1:1	REV	A/0	CHKD		X.X $\pm 0.20$	X.XXX $\pm 0.05$
			UNIT	MM	DATE		APPD			

