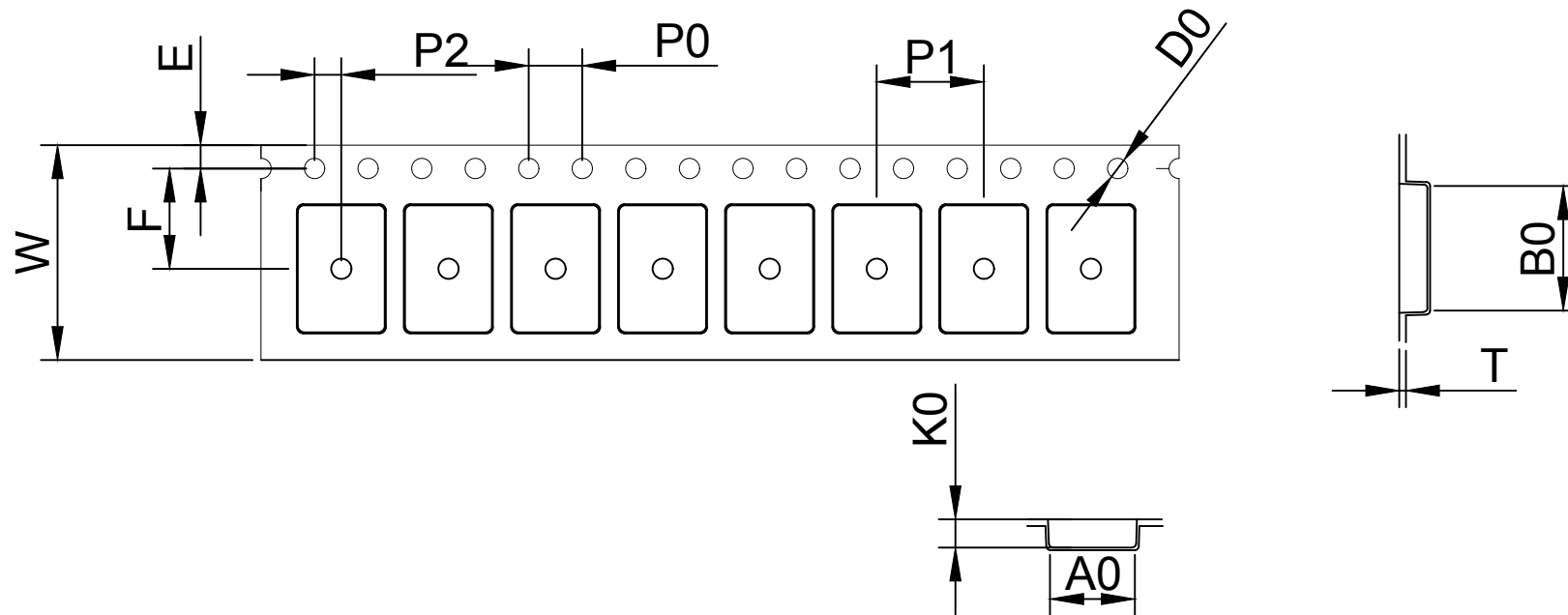


THE DIMENSIONS SHOWN ON THIS DESIGNED DRAWING ARE FOR ILLUSTRATIVE PURPOSE

DIMENSIONS FOR ACTUAL CARRIER TAPE MAY SLIGHTLY DIFFERENT

REV.	MODIFICATION	DATE	DRAWING	CHECKED	APPROVED
1					
2					



Not Marked tolerance  $\pm 0.2\text{mm}$

$D_0$ $\text{\textcircled{E}}$	$D_1$ $\text{\textcircled{E}}$	$P_0$ $\text{\textcircled{A}}$	$P_2$ $\text{\textcircled{A}}$	$E$ $\text{\textcircled{A}}$						
$1.50^{+0.10}_{-0.00}$	$1.50^{+0.10}_{-0.00}$	$4.00_{\pm 0.10}$	$2.00_{\pm 0.10}$	$1.75_{\pm 0.10}$						
ITEM	$W$ $\text{\textcircled{E}}$	$A_0$ $\text{\textcircled{A}}$	$A_1$ $\text{\textcircled{A}}$	$B_0$ $\text{\textcircled{A}}$	$B_1$ $\text{\textcircled{A}}$	$K_0$ $\text{\textcircled{C}}$	$K_1$ $\text{\textcircled{C}}$	$P_1$ $\text{\textcircled{A}}$	$F$ $\text{\textcircled{A}}$	$T$ $\text{\textcircled{E}}$
DIM	$16.00_{\pm 0.30}$	$6.50_{\pm 0.10}$	$\pm 0.10$	$9.50_{\pm 0.10}$	$\pm 0.10$	$2.10_{\pm 0.10}$	$\pm 0.10$	$8.00_{\pm 0.10}$	$7.50_{\pm 0.10}$	$0.30_{\pm 0.05}$
ALTERNATE										

- 1.The Maximum cumulative tolerance is  $\pm 0.2\text{mm}$  for 10 sprocket hole pitch
- 2.Cambers do not exceed 1.0mm in 250mm length
- 3.All dimension follow EIA-481-D series definition
- 4.Material: PS black
- 5.One 22" Reel=80 Meters

RoHS Compliance	NAME.	CARRIER TAPE	Mold Ref	SOIC14	SIZE	A4	DSGD		DIM TOL	Ang Tol	
	Mold Ref	6.50*9.50*2.10	Customer P/N		SHEET	1/1	PROJ		$X \pm 0.30$	$X.XX \pm 0.10$	$X^X \pm 5'$
	MATERIAL	PS BLACK	SCALE	1:1	REV	A/0	CHKD		$X.X \pm 0.20$	$X.XX \pm 0.05$	$.XX \pm 1'$
			UNIT	MM	DATE		APPD				

