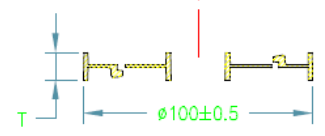
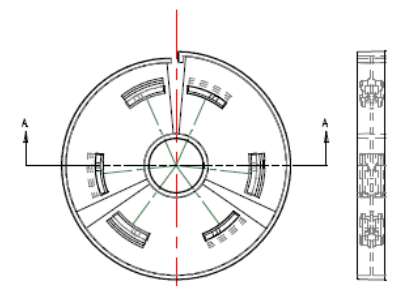
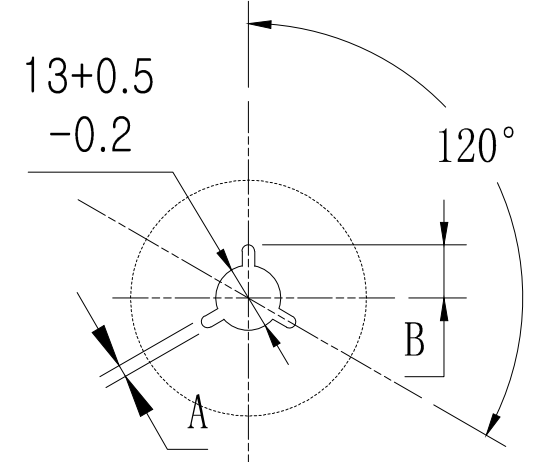
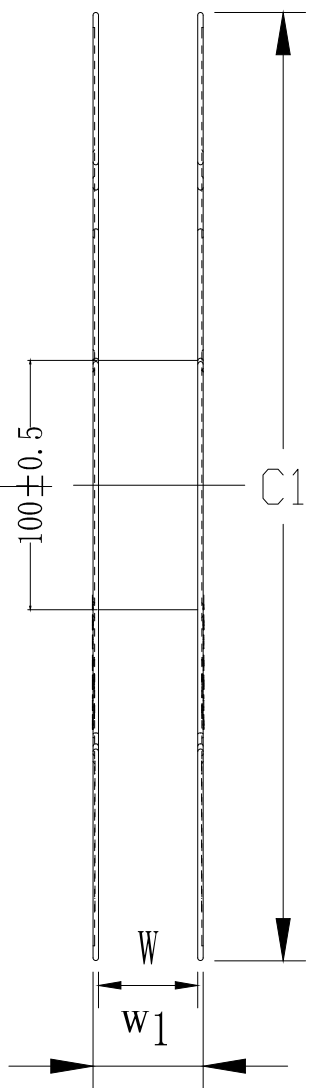
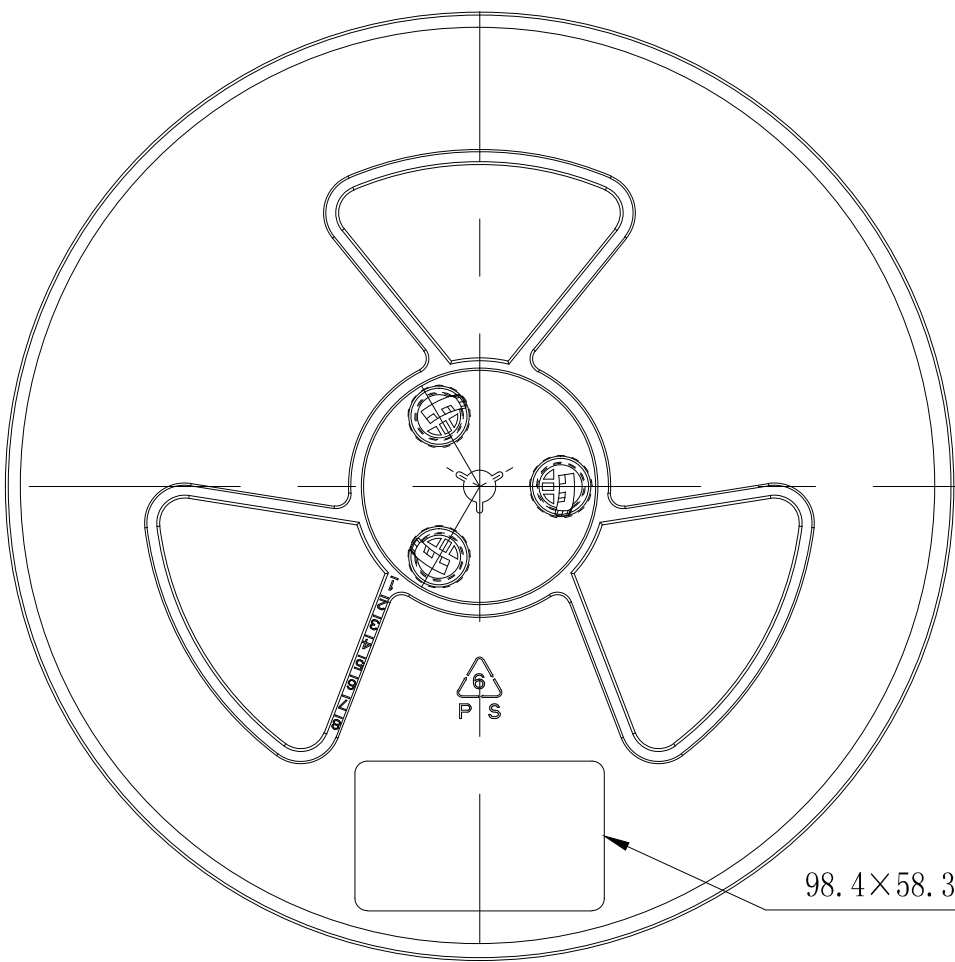


1	2	3	4	5	6	7	8		
A	B	C1	W1	REV.	MODIFICATION	DATE	DRAWING	CHECKED	APPROVED
2.5±0.3	10.75±0.3	380±1.0	61.1±0.3	1					



- T:
- 8.5±0.5
 - 12.5±0.5
 - 16.5±0.5
 - 24.5±0.5
 - 32.5±0.5
 - 44.5±0.5
 - 56.5±0.5

SINHO ELECTRONIC TECHNOLOGY CO.,LTD	NAME.	PLASTIC REEL	QUANTITY		SIZE	A4	DSGD		DIM TOL	Ang Tol
	ITEM	SHPR015	H R C		SHEET		PROJ		X ±0.10 X.XX ±0.01 X ±5'	
	MATERIAL	HIPS BLUE	SCALE		REV	B/0	CHKD		X.X ±0.05X.XXX ±0.005 .XX ±0.5'	
			UNIT	MM	DATE	2011.09.10	APPD			