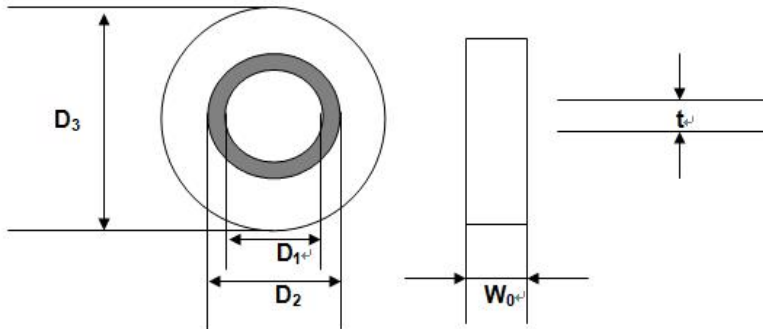


### Kraft Paper Tape Data Sheet

SHPT63P Kraft Paper tape for Radial-type Electrical Components

Product Code: SHPT63P Paper tape



Width (W <sub>0</sub> )	18mm±0.2mm
Length(L)	500m±20m
Thickness (mm)	0.45mm±0.05mm
Inter diameter(D <sub>1</sub> )	76.5mm±0.5mm
Outer diameter(D <sub>2</sub> )	84mm±0.5mm
Outer diameter(D <sub>3</sub> )	545mm±5mm

#### PHYSICAL PROPERTIES

Items	TYPICAL VALUE
Tensile Strength (KG)	≥15kgf
Folding Strength	≥200 times

#### Storage Conditions:

1. Environment Temperature and relative humidity: (23±2)°C, (65%±5%)RH
2. Shelf Life: 1 YEAR (optimum life before half a year)
3. Be protected from direct sunlight

WHEN YOU HAVE QUESTION WITH DATA SHEET, WE COMPOUND THE ANSWER.

Email: Info@xmsinho.com