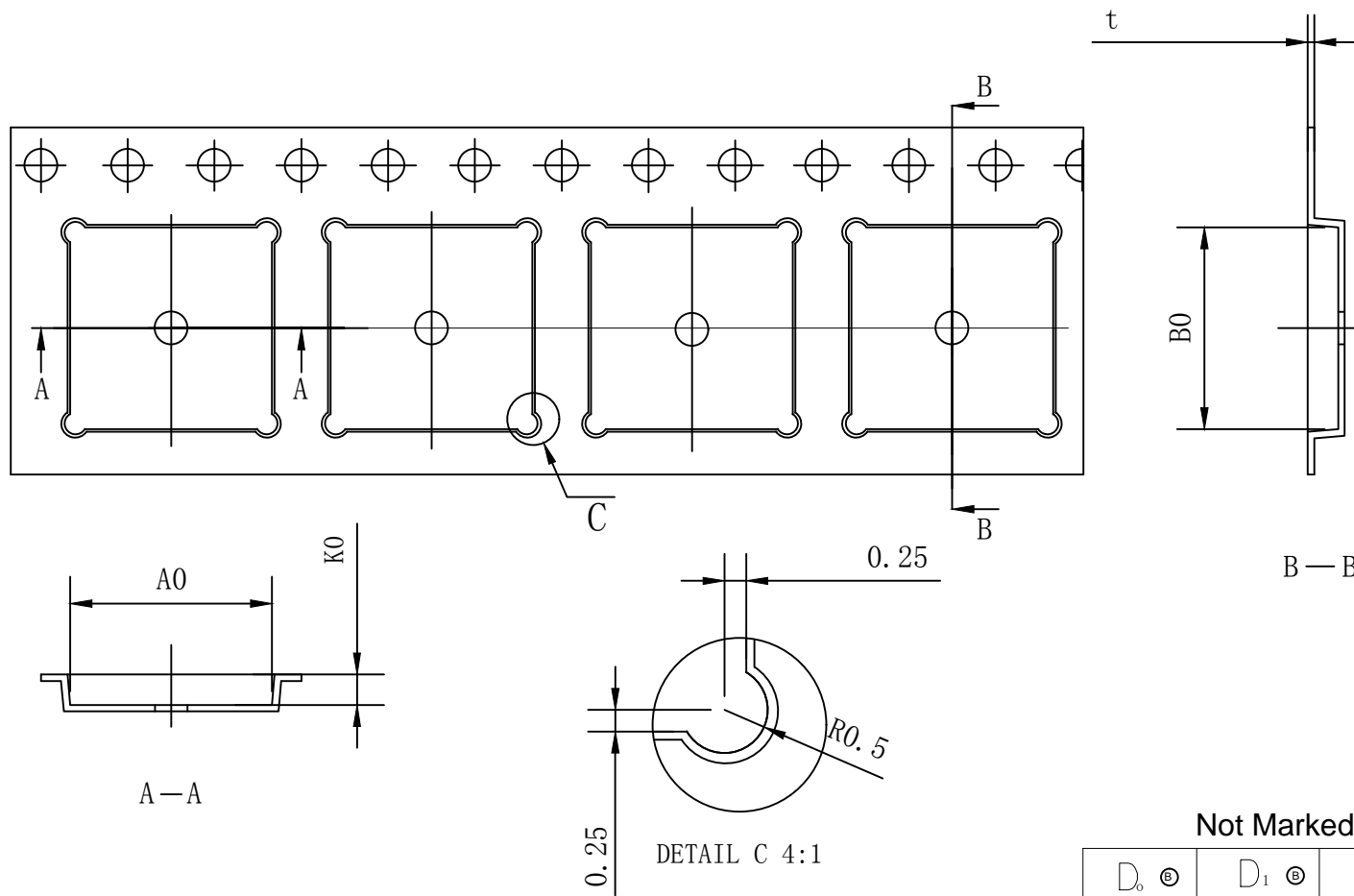


THE DIMENSIONS SHOWN ON THIS DESIGNED DRAWING ARE FOR ILLUSTRATIVE PURPOSE

DIMENSIONS FOR ACTUAL CARRIER TAPE MAY SLIGHTLY DIFFERENT

REV.	MODIFICATION	DATE	DRAWING	CHECKED	APPROVED
1					
2					



Not Marked tolerance $\pm 0.2\text{mm}$

$D_0 \text{ } \textcircled{E}$	$D_1 \text{ } \textcircled{E}$	$P_0 \text{ } \textcircled{A}$	$P_2 \text{ } \textcircled{A}$	$E \text{ } \textcircled{A}$						
$1.50 \begin{smallmatrix} +0.10 \\ -0.00 \end{smallmatrix}$	$1.50 \begin{smallmatrix} +0.10 \\ -0.00 \end{smallmatrix}$	4.00 ± 0.10	2.00 ± 0.10	1.75 ± 0.10						
$K_0 \text{ } \textcircled{C}$	$K_1 \text{ } \textcircled{C}$	$P_1 \text{ } \textcircled{A}$	$F \text{ } \textcircled{A}$	$T \text{ } \textcircled{E}$						
1.10 ± 0.10	± 0.10	12.00 ± 0.10	7.50 ± 0.10	0.30 ± 0.05						
ITEM	$W \text{ } \textcircled{E}$	$A_0 \text{ } \textcircled{A}$	$A_1 \text{ } \textcircled{A}$	$B_0 \text{ } \textcircled{A}$	$B_1 \text{ } \textcircled{A}$	$K_0 \text{ } \textcircled{C}$	$K_1 \text{ } \textcircled{C}$	$P_1 \text{ } \textcircled{A}$	$F \text{ } \textcircled{A}$	$T \text{ } \textcircled{E}$
DIM	16.00 ± 0.30	9.30 ± 0.10	± 0.10	9.30 ± 0.10	± 0.10	1.10 ± 0.10	± 0.10	12.00 ± 0.10	7.50 ± 0.10	0.30 ± 0.05
ALTERNATE										

- The Maximum cumulative tolerance is $\pm 0.2\text{mm}$ for 10 sprocket hole pitch
- Cambers do not exceed 1.0mm in 250mm length
- All dimension follow EIA-481-D series definition
- Material: PS black
- One 22" Reel=150 Meters

RoHS Compliance	NAME.	CARRIER TAPE	Part Number	QFN0900X0900B	SIZE	A4	DSGD		DIM TOL	Ang Tol	
	Mold Ref	9.30*9.30*1.10	Customer P/N		SHEET	1/1	PROJ		$X \pm 0.30$	$X.XX \pm 0.10$	$X \pm 5'$
	MATERIAL	PS BLACK	SCALE	1:1	REV	A/0	CHKD		$X.X \pm 0.20$	$.XXX \pm 0.05$	$.XX \pm 1'$
			UNIT	MM	DATE	2021.11.23	APPD				

