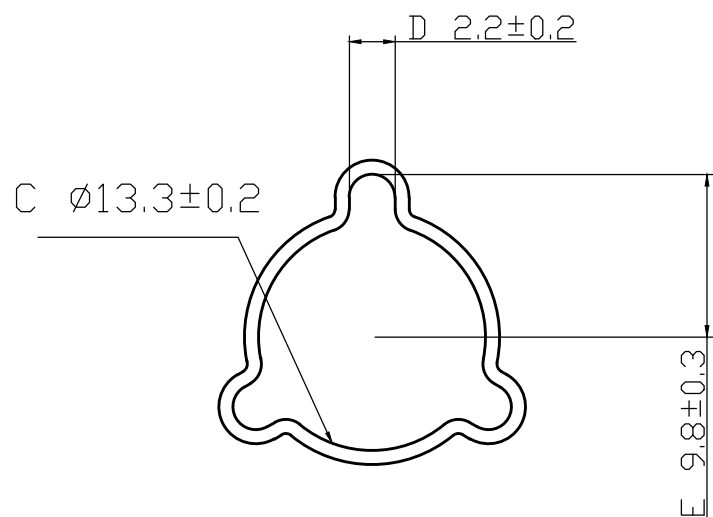
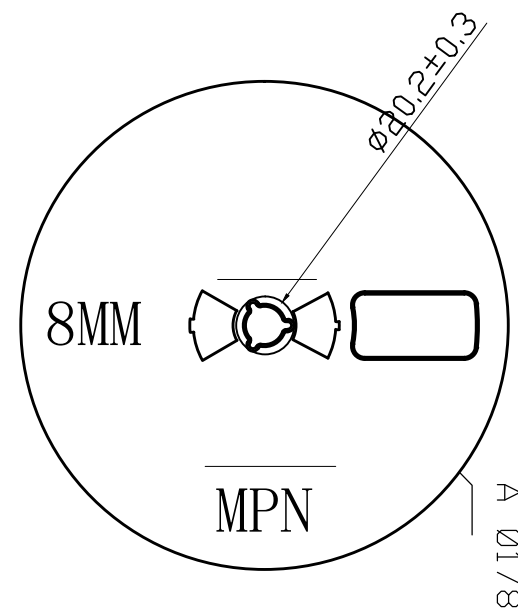
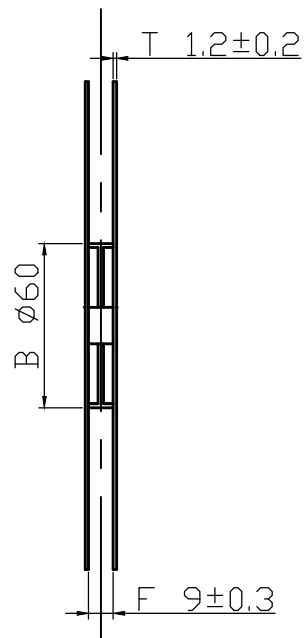
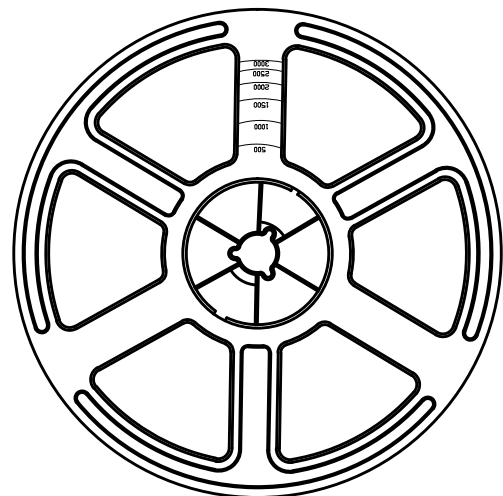


	1	2		3		4	5
Dimension	A	B	C	D	E	F	T
Value	178.00	60.00	13.30	2.20	9.80	9.00	1.20
Tolerance	±0.05	0.20	±0.20	±0.20	±0.30	±0.30	±0.20



## SINHO ELECTRONIC TECHNOLOGY CO.,LTD

Item	SHPR0708	Color	White		
Size	7"*8mm	Materials	HIPS		
Tool No.	/	Unit	MM		
Approved	YU	Made by	ZHOU		