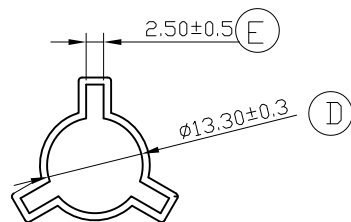
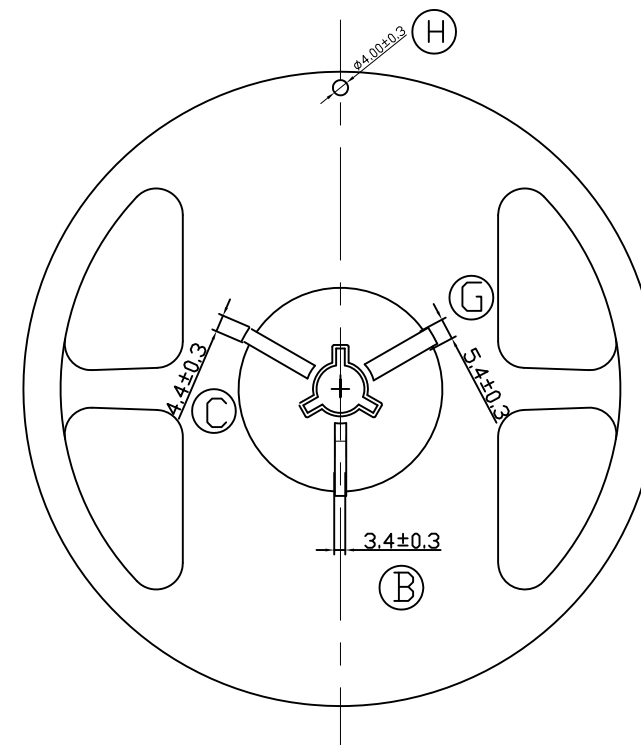
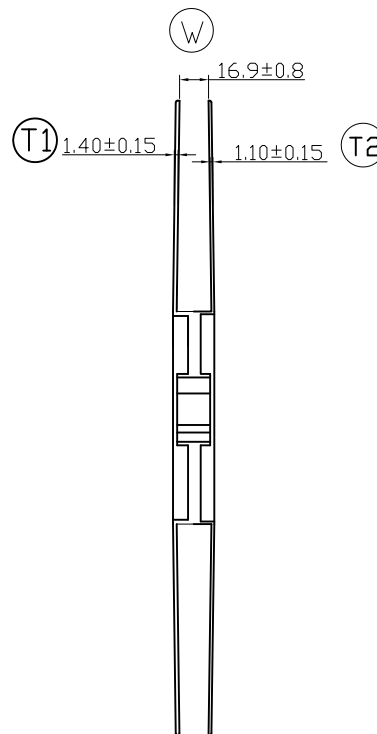
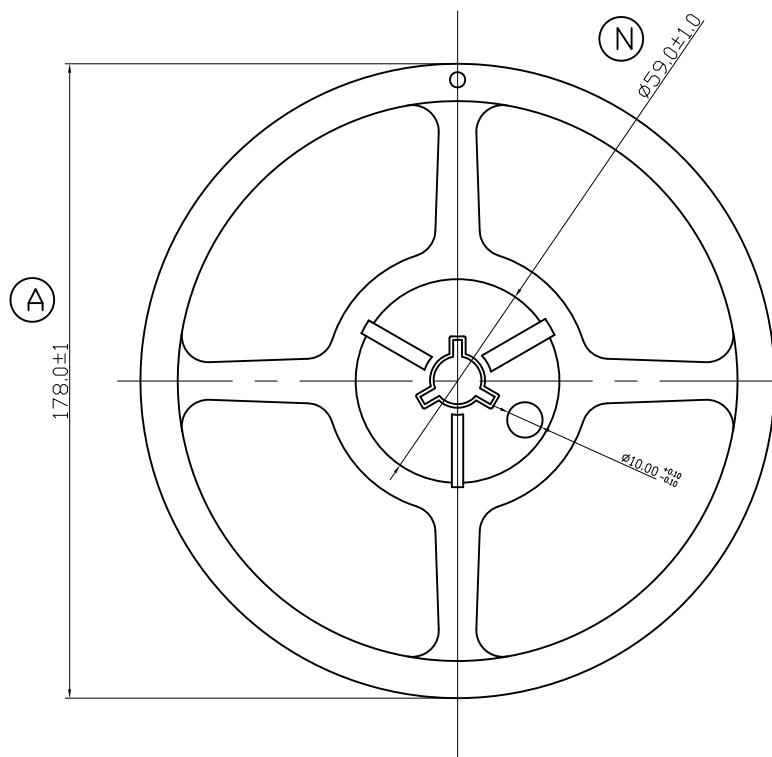


Dimension	A	B	C	D	E	W
Value	178.00	3.40	4.40	13.30	2.50	16.90
Tolerance	± 1.00	± 0.30	± 0.30	± 0.30	± 0.50	± 0.80



SINHO ELECTRONIC TECHNOLOGY CO.,LTD

Item	SHPRB0716	Color	Black
Size	7"*16mm	Materials	HIPS
Tool NO.	SHPR00488	Unit	MM
Approved	YU	Made by	ZHOU