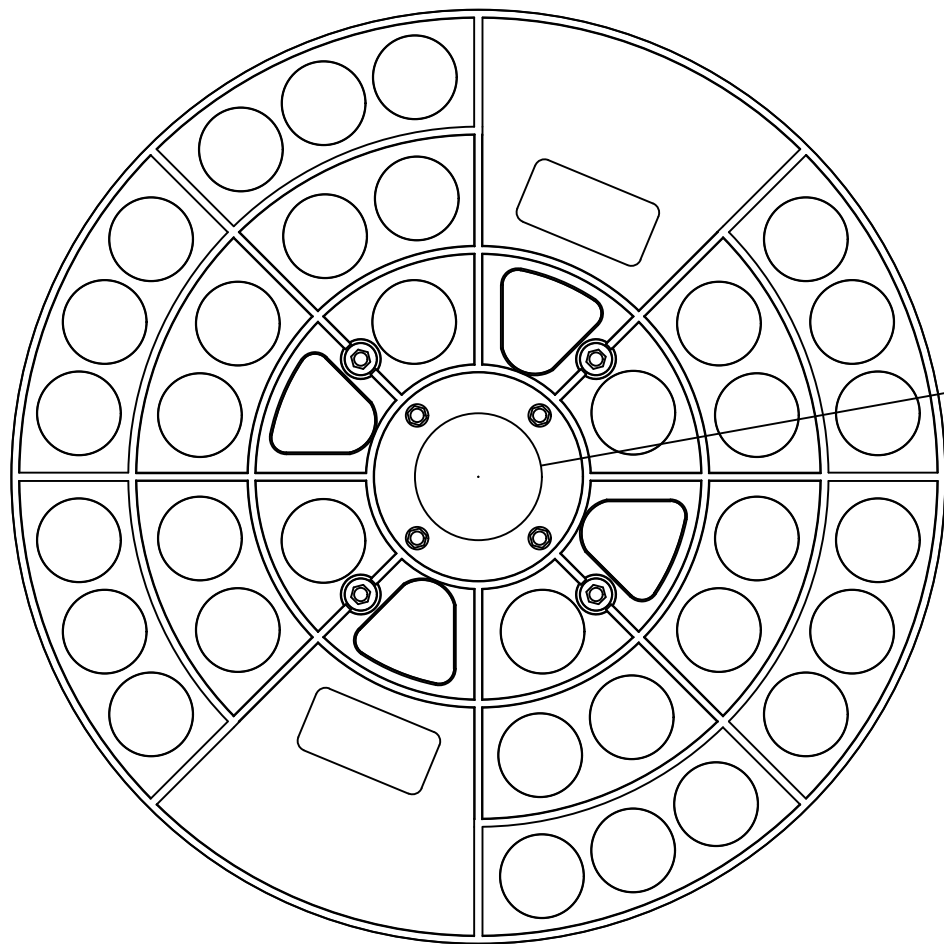
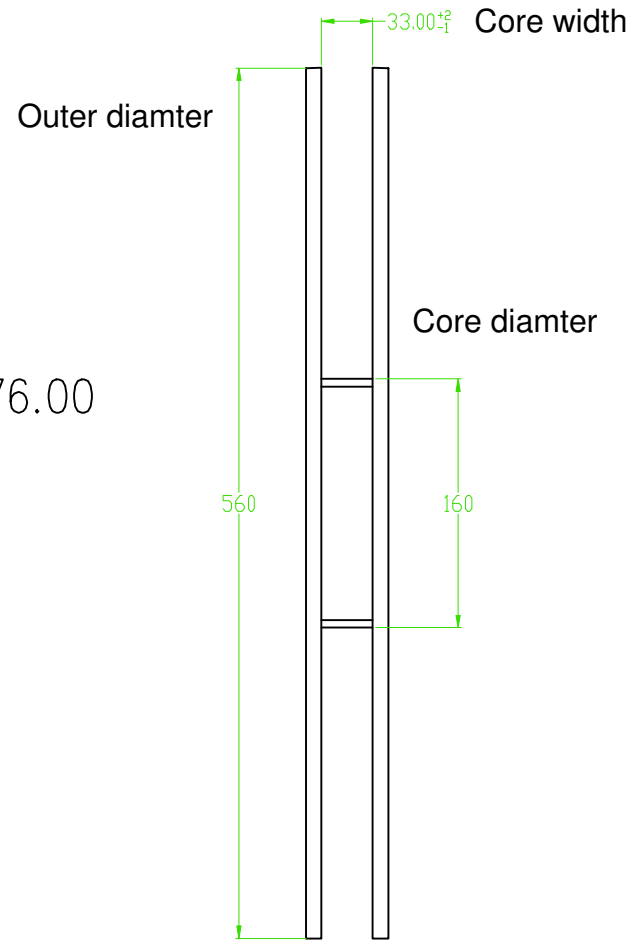


RoHS Compliance

REV.	MODIFICATION	DATE	DRAWING	CHECKED	APPROVED
1					
2					



Ø76.00



1/4

THE DIMENSIONS SHOWN ON THIS DESIGNED DRAWING ARE FOR ILLUSTRATIVE PURPOSE
 DIMENSIONS FOR ACTUAL REEL MAY SLIGHTLY DIFFERENT

Item	SHPR56032	Color	Black	
Size	22"*32mm	Materials	PC & ABS	
Tool No.	SHTN56032	Unit	MM	
Approved	YU	Made by	ZHOU	

22" molded plastic reel on our machine



22" molded plastic reel, core diameter 160mm, core width 32mm, center hole (3") 76mm



22" molded plastic reel with winding carrier tape on it

