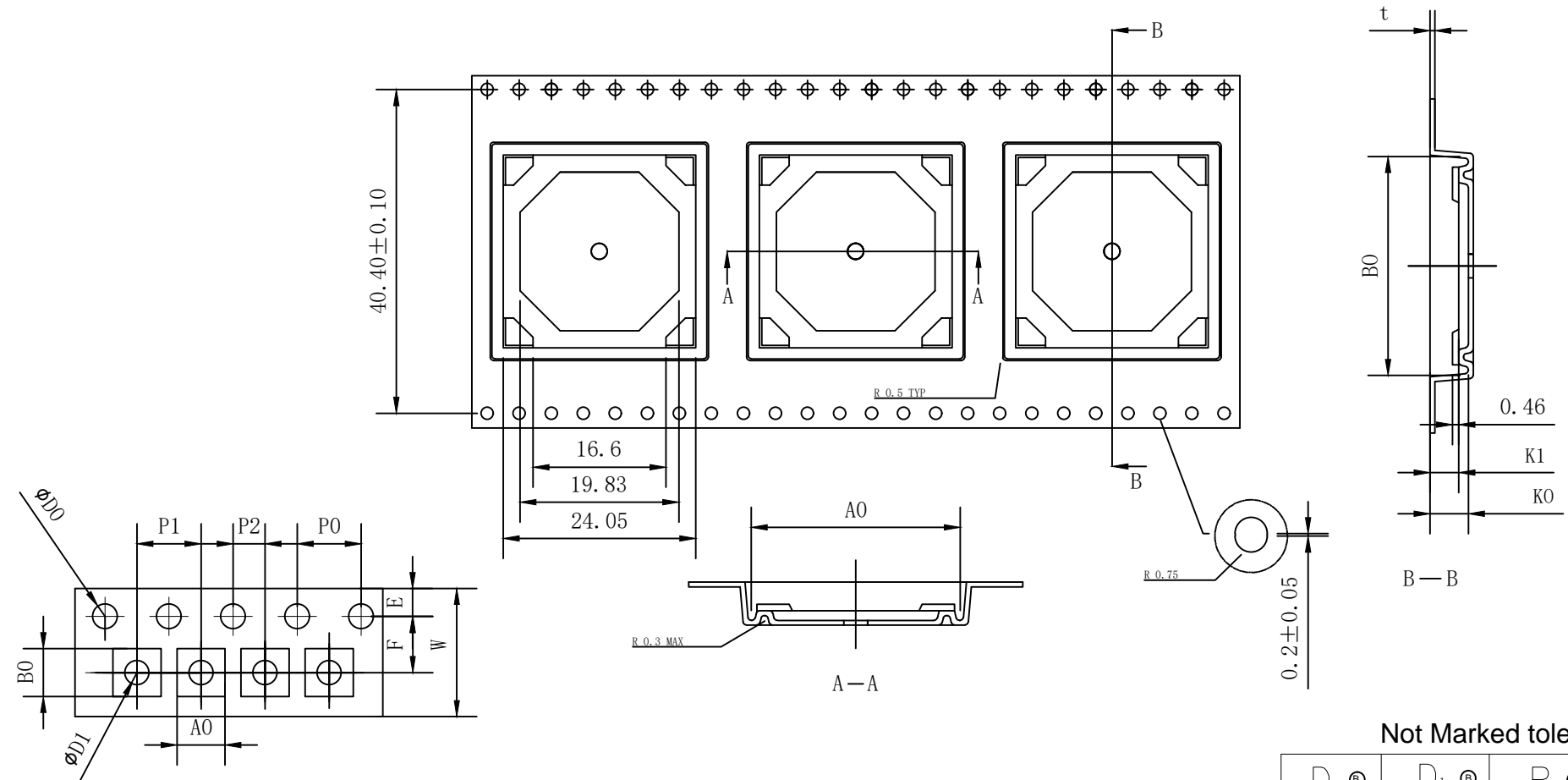


THE DIMENSIONS SHOWN ON THIS DESIGNED DRAWING ARE FOR ILLUSTRATIVE PURPOSE

DIMENSIONS FOR ACTUAL CARRIER TAPE MAY SLIGHTLY DIFFERENT

REV.	MODIFICATION	DATE	DRAWING	CHECKED	APPROVED
1					
2					



Not Marked tolerance ± 0.2 mm

	$D_0 \text{ (E)}$	$D_1 \text{ (E)}$	$P_0 \text{ (A)}$	$P_2 \text{ (A)}$	$E \text{ (A)}$					
	$1.50 \begin{smallmatrix} +0.10 \\ -0.00 \end{smallmatrix}$	$2.00 \begin{smallmatrix} +0.10 \\ -0.00 \end{smallmatrix}$	4.00 ± 0.10	2.00 ± 0.10	1.75 ± 0.10					
ITEM	$W \text{ (E)}$	$A_0 \text{ (A)}$	$A_1 \text{ (A)}$	$B_0 \text{ (A)}$	$B_1 \text{ (A)}$	$K_0 \text{ (C)}$	$K_1 \text{ (C)}$	$P_1 \text{ (A)}$	$F \text{ (A)}$	$T \text{ (E)}$
DIM	44.00 ± 0.30	26.85 ± 0.10	± 0.10	26.85 ± 0.10	± 0.10	1.80 ± 0.10	1.58 ± 0.10	32.00 ± 0.10	20.20 ± 0.10	0.35 ± 0.05
ALTERNATE										

- 1.The Maximum cumulative tolerance is ± 0.2 mm for 10 sprocket hole pitch
- 2.Cambers do not exceed 1.0mm in 250mm length
- 3.All dimension follow EIA-481-D series definition
- 4.Material: PS black
- 5.One 22" Reel=88 Meters

RoHS Compliance	NAME.	CARRIER TAPE	Part Number	L24X24-A	SIZE	A4	DSGD		DIM TOL	Ang Tol	
	Mold Ref	26.85*26.85*1.80	Customer P/N		SHEET	1/1	PROJ		$X \pm 0.30$	$X.XX \pm 0.10$	$X \pm 5'$
	MATERIAL	PS BLACK	SCALE	1:1	REV	A/0	CHKD		$X.X \pm 0.20$	$.XXX \pm 0.05$	$.XX \pm 1'$
			UNIT	MM	DATE	2022.01.17	APPD				

