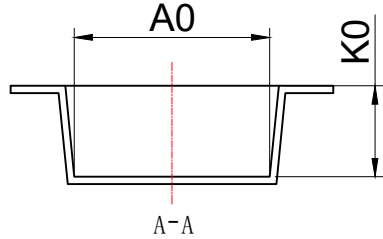
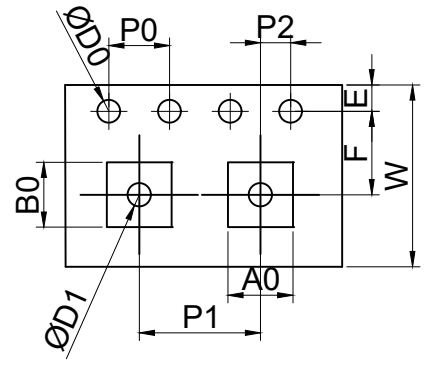
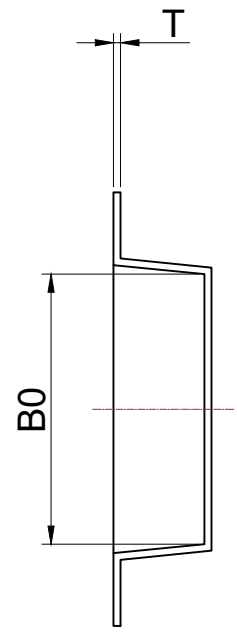
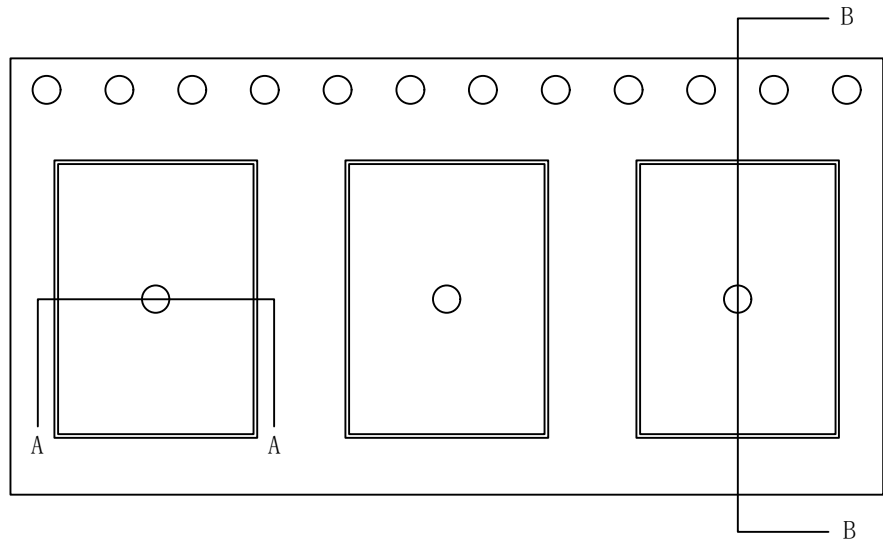


THE DIMENSIONS SHOWN ON THIS DESIGNED DRAWING ARE FOR ILLUSTRATIVE PURPOSE

DIMENSIONS FOR ACTUAL CARRIER TAPE MAY SLIGHTLY DIFFERENT

REV.	MODIFICATION	DATE	DRAWING	CHECKED	APPROVED
1					
2					



Not Marked tolerance $\pm 0.2\text{mm}$

$D_0 \text{ } \textcircled{E}$	$D_1 \text{ } \textcircled{E}$	$P_0 \text{ } \textcircled{A}$	$P_2 \text{ } \textcircled{A}$	$E \text{ } \textcircled{A}$						
$1.50^{+0.10}_{-0.00}$	$1.50^{+0.10}_{-0.00}$	$4.00_{\pm 0.10}$	$2.00_{\pm 0.10}$	$1.75_{\pm 0.10}$						
ITEM	$W \text{ } \textcircled{E}$	$A_0 \text{ } \textcircled{A}$	$A_1 \text{ } \textcircled{A}$	$B_0 \text{ } \textcircled{A}$	$B_1 \text{ } \textcircled{A}$	$K_0 \text{ } \textcircled{C}$	$K_1 \text{ } \textcircled{C}$	$P_1 \text{ } \textcircled{A}$	$F \text{ } \textcircled{A}$	$T \text{ } \textcircled{E}$
DIM	$24.00_{\pm 0.30}$	$10.75_{\pm 0.10}$	± 0.10	$14.85_{\pm 0.10}$	± 0.10	$5.00_{\pm 0.10}$	± 0.10	$16.00_{\pm 0.10}$	$11.50_{\pm 0.10}$	$0.40_{\pm 0.05}$
ALTERNATE										

- The Maximum cumulative tolerance is $\pm 0.2\text{mm}$ for 10 sprocket hole pitch
- Cambers do not exceed 1.0mm in 250mm length
- All dimension follow EIA-481-D series definition
- Material: PS black
- One 22" Reel=40 Meters

RoHS Compliance	NAME.	CARRIER TAPE	PN	TO-263	SIZE	A4	DSGD		DIM TOL	Ang Tol	
	Mold Ref	10.75x14.85x5.00	Customer P/N		SHEET	1/1	PROJ		$X \pm 0.30$	$X.XX \pm 0.10$	$X \pm 5'$
	MATERIAL	PS BLACK	SCALE	1:1	REV	A/0	CHKD		$X.X \pm 0.20$	$X.XXX \pm 0.05$	$.XX \pm 1'$
			UNIT	MM	DATE	2023-6-3	APPD				

